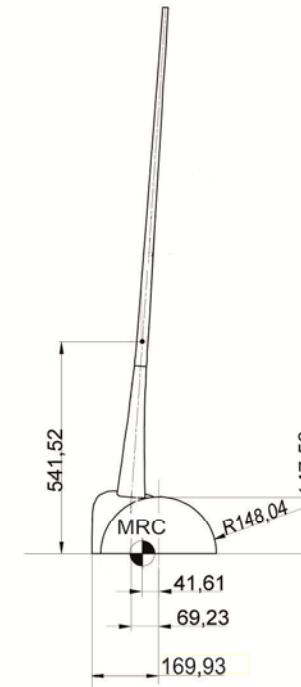
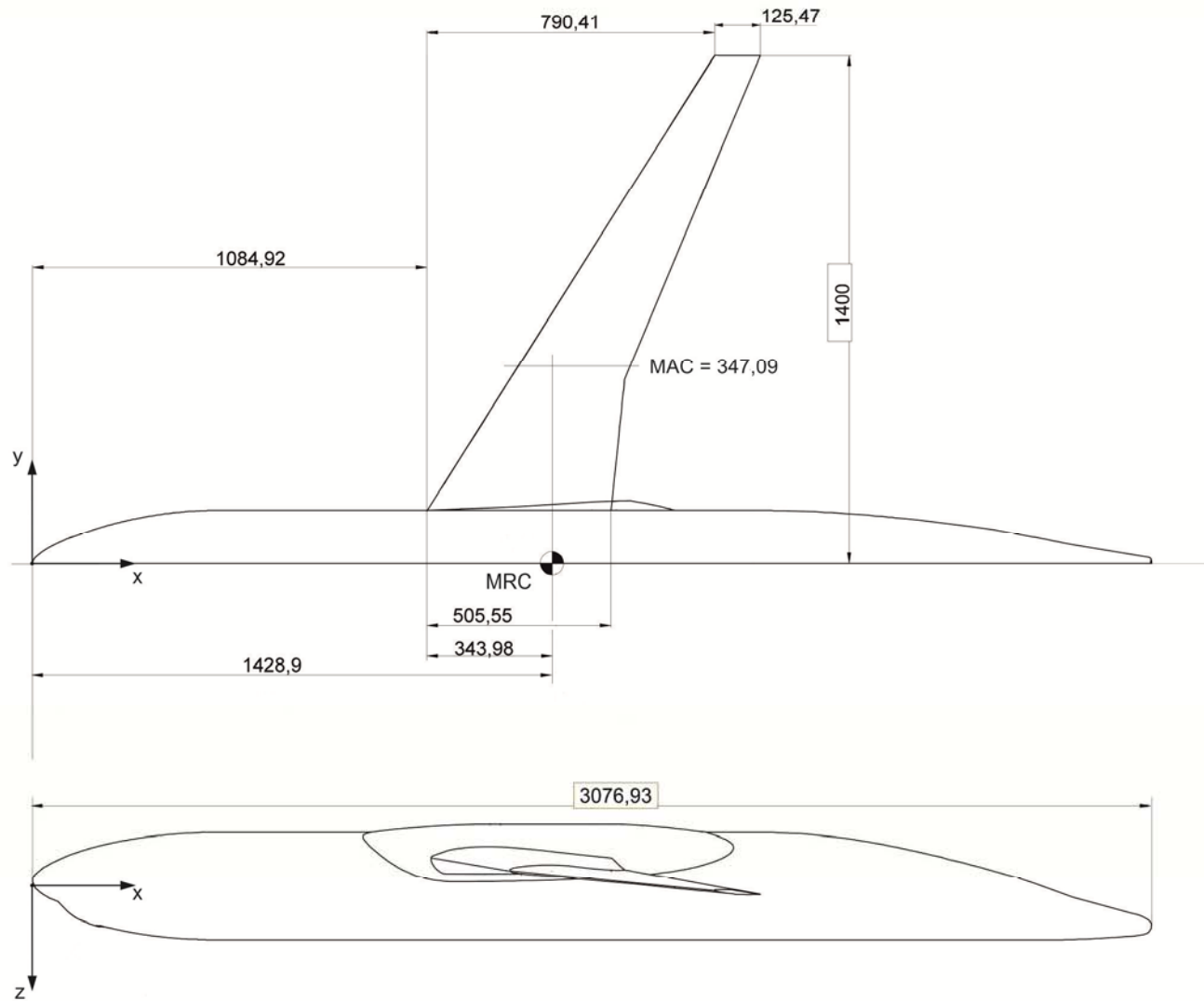


Main Dimensions of the DLR F11 Model



DLR F11 model main dimensions

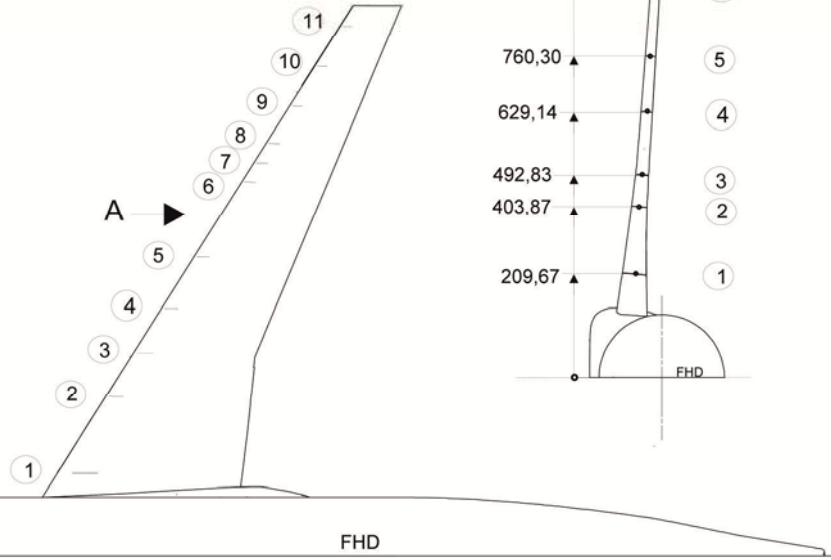
(stowed configuration, all dimensions in mm)

Reference area:	419130 mm ²
Mean aerodynamic chord (MAC):	347,09 mm
Wing semi span:	1400 mm
Wing aspect ratio:	9,353
Wing taper ratio:	0,3
1/4 chord sweep:	30°
Wing dihedral:	4°
Fuselage length:	3077 mm
Moment reference center (MRC):	x=1428,90 mm
	y= 0,00 mm
	z= -41,61 mm

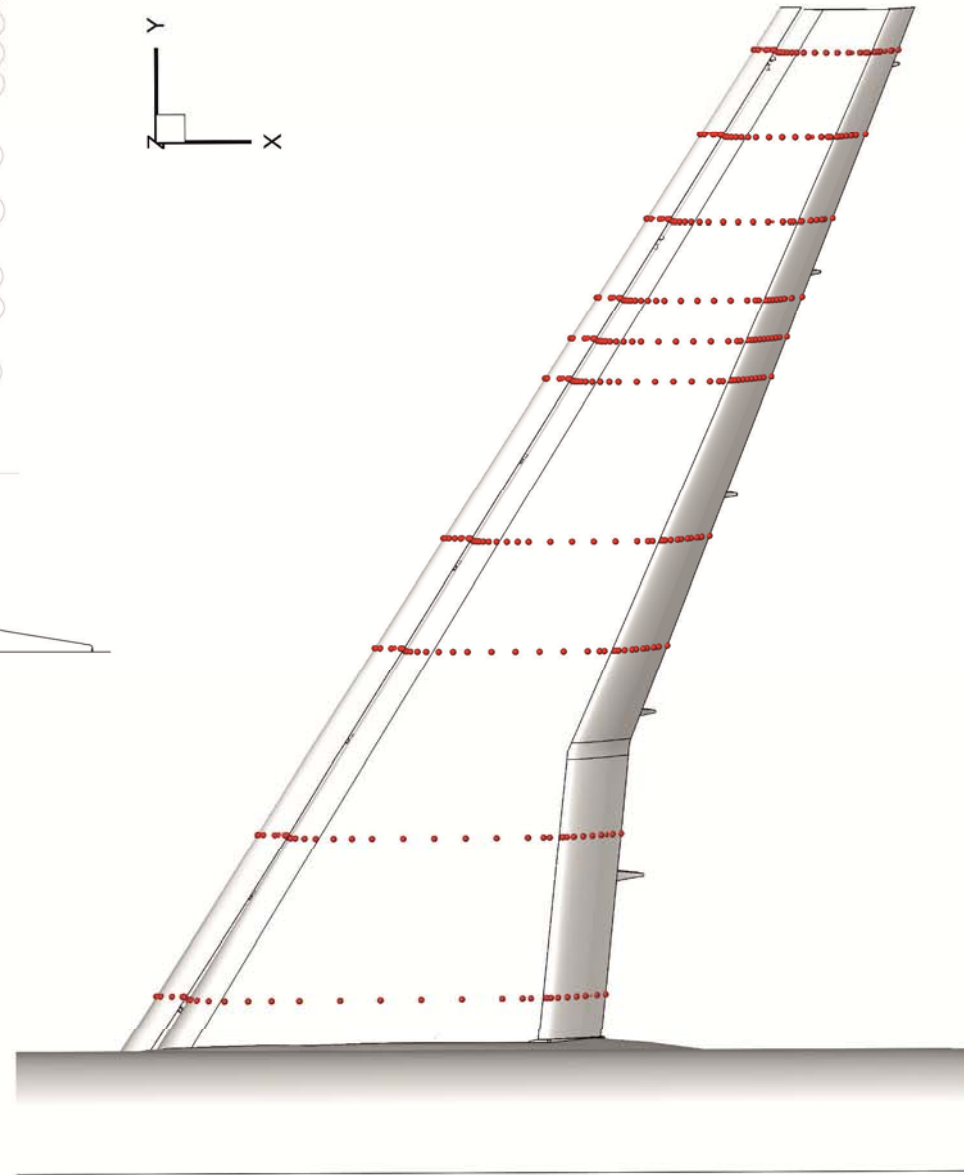
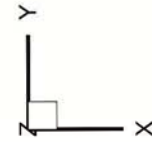
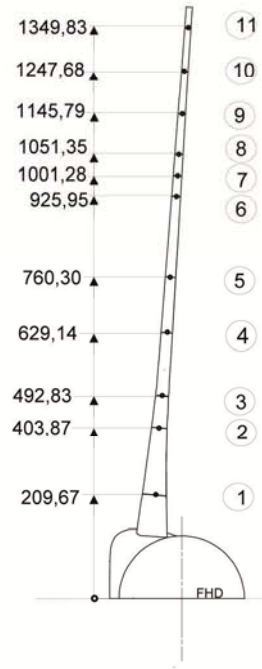
n.b.: commas in dimensions separate decimal places

Pressure Section Locations for the Fixed Wing

Sections	y-cooridnate
PS 01	209,67
PS 02	403,87
PS 03	492,83
PS 04	629,14
PS 05	760,30
PS 06	925,95
PS 07	1001,28
PS 08	1051,35
PS 09	1145,79
PS 10	1247,68
PS 11	1348,83



View on arrow A



Pressure Section Locations for Slat and Flap

Slat cutting plane definition (plane equations):

PS 01	Plane:	$0,003861 x + 0,999926 y + 0,011494 z = 217.4733989342$
PS 02	Plane:	$0,003861 x + 0,999926 y + 0,011494 z = 411.7473427342$
PS 04	Plane:	$0,003861 x + 0,999926 y + 0,011494 z = 637.4499817342$
PS 05	Plane:	$0,003861 x + 0,999926 y + 0,011494 z = 768.8322037342$
PS 06	Plane:	$0,003861 x + 0,999926 y + 0,011494 z = 961.8352640342$
PS 07	Plane:	$0,003861 x + 0,999926 y + 0,011494 z = 1010.3007059342$
PS 08	Plane:	$0,003861 x + 0,999926 y + 0,011494 z = 1060.4835625342$
PS 09	Plane:	$0,003861 x + 0,999926 y + 0,011494 z = 1155.1131106342$
PS 10	Plane:	$0,003861 x + 0,999926 y + 0,011494 z = 1257.1962384342$
PS 11	Plane:	$0,003861 x + 0,999926 y + 0,011494 z = 1359.5541526342$

Flap cutting plane definition (plane equations):

PS 01	Plane:	$0,003629 x - 0,996368 y - 0,085077 z = - 197.8982043488$
PS 02	Plane:	$0,003626 x - 0,996367 y - 0,085081 z = - 392.1763409519$
PS 04	Plane:	$0,000246 x + 0,989663 y + 0,143413 z = 617.8606667446$
PS 05	Plane:	$0,000241 x + 0,989664 y + 0,143404 z = 749.2356867151$
PS 06	Plane:	$0,000247 x + 0,989663 y + 0,143415 z = 942.2476198083$
PS 07	Plane:	$0,000229 x + 0,989666 y + 0,143389 z = 990.6836221217$
PS 08	Plane:	$0,000244 x + 0,990009 y + 0,141001 z = 1040.0478582652$
PS 09	Plane:	$0,000193 x + 0,990019 y + 0,140931 z = 1134.5926478846$
PS 10	Plane:	$0,000301 x + 0,989998 y + 0,141080 z = 1236.8582935410$
PS 11	Plane:	$0,000256 x + 0,990007 y + 0,141018 z = 1339.1385759566$

